

MAX809 Series, MAX810 Series

Very Low Supply Current 3-Pin Microprocessor Reset Monitors

The MAX809 and MAX810 are cost-effective system supervisor circuits designed to monitor V_{CC} in digital systems and provide a reset signal to the host processor when necessary. No external components are required.

The reset output is driven active within 10 μ sec of V_{CC} falling through the reset voltage threshold. Reset is maintained active for a timeout period which is trimmed by the factory after V_{CC} rises above the reset threshold. The MAX810 has an active-high RESET output while the MAX809 has an active-low $\overline{\text{RESET}}$ output. Both devices are available in SOT-23 and SC-70 packages.

The MAX809/810 are optimized to reject fast transient glitches on the V_{CC} line. Low supply current of 0.5 μ A ($V_{CC} = 3.2$ V) makes these devices suitable for battery powered applications.

Features

- Precision V_{CC} Monitor for 1.5 V, 2.5 V, 3.0 V, 3.3 V, and 5.0 V Supplies
- Precision Monitoring Voltages from 1.2 V to 4.9 V Available in 100 mV Steps
- Four Guaranteed Minimum Power-On Reset Pulse Width Available (1 ms, 20 ms, 100 ms, and 140 ms)
- $\overline{\text{RESET}}$ Output Guaranteed to $V_{CC} = 1.0$ V.
- Low Supply Current
- Compatible with Hot Plug Applications
- V_{CC} Transient Immunity
- No External Components
- Wide Operating Temperature: -40°C to 105°C
- Pb-Free Packages are Available

Typical Applications

- Computers
- Embedded Systems
- Battery Powered Equipment
- Critical Microprocessor Power Supply Monitoring

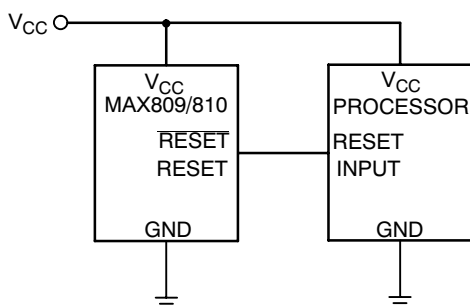


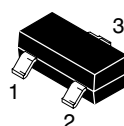
Figure 1. Typical Application Diagram



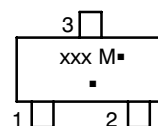
ON Semiconductor®

<http://onsemi.com>

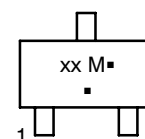
MARKING DIAGRAM



SOT-23
(TO-236)
CASE 318

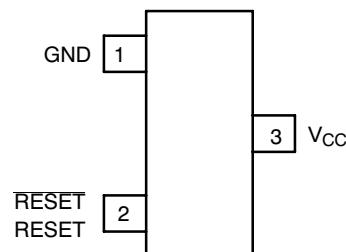


SC-70
(SOT-323)
CASE 419



xxx = Specific Device Code
M = Date Code
▪ = Pb-Free Package
(Note: Microdot may be in either location)

PIN CONFIGURATION



SOT-23/SC-70
(Top View)

NOTE: RESET is for MAX809
RESET is for MAX810

ORDERING INFORMATION

See detailed ordering and shipping information in the package dimensions section on page 10 of this data sheet.

DEVICE MARKING INFORMATION

See general marking information in the device marking section on page 10 of this data sheet.

MAX809 Series, MAX810 Series

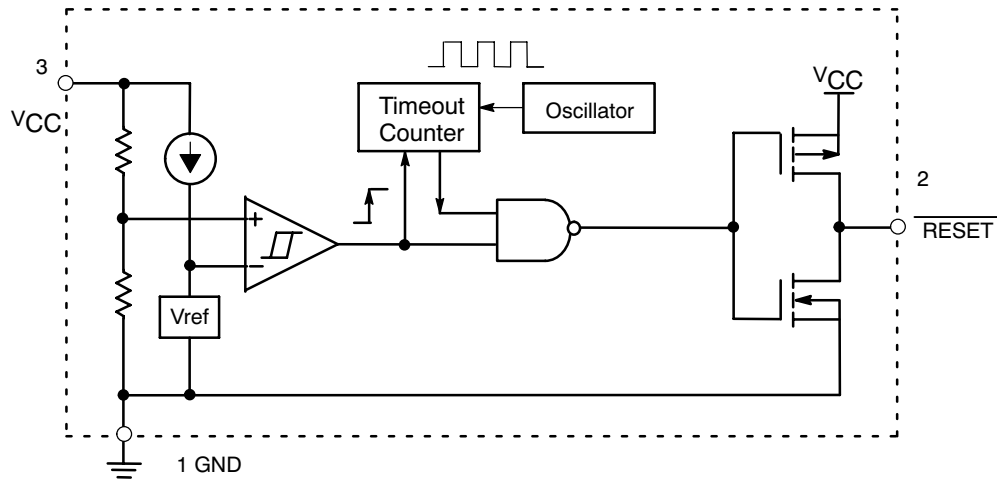


Figure 2. MAX809 Series Complementary Active-Low Output

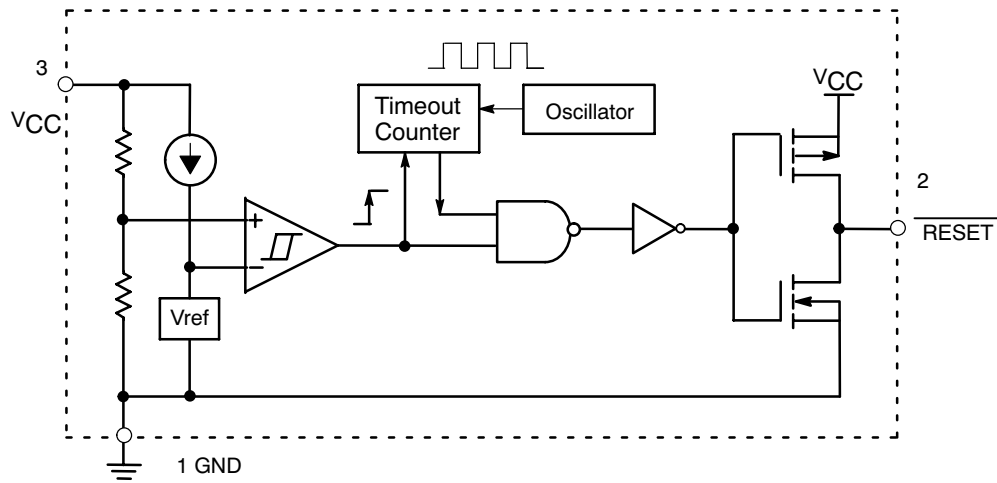


Figure 3. MAX810 Series Complementary Active-High Output

MAX809 Series, MAX810 Series

PIN DESCRIPTION

| Pin No. | Symbol | Description |
|---------|-----------------|--|
| 1 | GND | Ground |
| 2 | RESET (MAX809) | RESET output remains low while V _{CC} is below the reset voltage threshold, and for a reset timeout period after V _{CC} rises above reset threshold |
| 2 | RESET (MAX810) | RESET output remains high while V _{CC} is below the reset voltage threshold, and for a reset timeout period after V _{CC} rises above reset threshold |
| 3 | V _{CC} | Supply Voltage (Typ) |

ABSOLUTE MAXIMUM RATINGS

| Rating | Symbol | Value | Unit |
|--|----------------------|---------------------------------|--------|
| Power Supply Voltage (V _{CC} to GND) | V _{CC} | -0.3 to 6.0 | V |
| RESET Output Voltage (CMOS) | | -0.3 to (V _{CC} + 0.3) | V |
| Input Current, V _{CC} | | 20 | mA |
| Output Current, RESET | | 20 | mA |
| dV/dt (V _{CC}) | | 100 | V/μsec |
| Thermal Resistance, Junction-to-Air (Note 1) | SOT-23 SC-70 | R _{θJA} 301 314 | °C/W |
| Operating Junction Temperature Range | T _J | -40 to +105 | °C |
| Storage Temperature Range | T _{stg} | -65 to +150 | °C |
| Lead Temperature (Soldering, 10 Seconds) | T _{sol} | +260 | °C |
| ESD Protection Human Body Model (HBM): Following Specification JESD22-A114 Machine Model (MM): Following Specification JESD22-A115 | | 2000 200 | V |
| Latchup Current Maximum Rating: Following Specification JESD78 Class II Positive Negative | I _{Latchup} | 200 200 | mA |

Stresses exceeding Maximum Ratings may damage the device. Maximum Ratings are stress ratings only. Functional operation above the Recommended Operating Conditions is not implied. Extended exposure to stresses above the Recommended Operating Conditions may affect device reliability.

1. This based on a 35x35x1.6mm FR4 PCB with 10mm² of 1 oz copper traces under natural convection conditions and a single component characterization.
2. The maximum package power dissipation limit must not be exceeded.

$$P_D = \frac{T_{J(max)} - T_A}{R_{\theta JA}} \quad \text{with } T_{J(max)} = 150^\circ\text{C}$$

MAX809 Series, MAX810 Series

ELECTRICAL CHARACTERISTICS $T_A = -40^{\circ}\text{C}$ to $+105^{\circ}\text{C}$ unless otherwise noted. Typical values are at $T_A = +25^{\circ}\text{C}$. (Note 3)

| Characteristic | Symbol | Min | Typ | Max | Unit |
|--|----------|----------------------|----------------------|--------------------------|---------------|
| V_{CC} Range $T_A = 0^{\circ}\text{C}$ to $+70^{\circ}\text{C}$ $T_A = -40^{\circ}\text{C}$ to $+105^{\circ}\text{C}$ | | 1.0 1.2 | - - | 5.5 5.5 | V |
| Supply Current $V_{CC} = 3.3\text{ V}$ $T_A = -40^{\circ}\text{C}$ to $+85^{\circ}\text{C}$ $T_A = 85^{\circ}\text{C}$ to $+105^{\circ}\text{C}$ $V_{CC} = 5.5\text{ V}$ $T_A = -40^{\circ}\text{C}$ to $+85^{\circ}\text{C}$ $T_A = 85^{\circ}\text{C}$ to $+105^{\circ}\text{C}$ | I_{CC} | - - - - | 0.5 - 0.8 - | 1.2 2.0 1.8 2.5 | μA |
| Reset Threshold (V_{in} Decreasing) (Note 4) | V_{TH} | | | | V |
| MAX809SN490 $T_A = +25^{\circ}\text{C}$ $T_A = -40^{\circ}\text{C}$ to $+85^{\circ}\text{C}$ $T_A = +85^{\circ}\text{C}$ to $+105^{\circ}\text{C}$ | | 4.83 4.78 4.66 | 4.9 - - | 4.97 5.02 5.14 | |
| MAX8xxLTR, MAX8xxSQ463 $T_A = +25^{\circ}\text{C}$ $T_A = -40^{\circ}\text{C}$ to $+85^{\circ}\text{C}$ $T_A = +85^{\circ}\text{C}$ to $+105^{\circ}\text{C}$ | | 4.56 4.50 4.40 | 4.63 - - | 4.70 4.75 4.86 | |
| MAX809HTR $T_A = +25^{\circ}\text{C}$ $T_A = -40^{\circ}\text{C}$ to $+85^{\circ}\text{C}$ $T_A = +85^{\circ}\text{C}$ to $+105^{\circ}\text{C}$ | | 4.48 4.43 4.32 | 4.55 | 4.62 4.67 4.78 | |
| MAX8xxMTR, MAX8xxSQ438 $T_A = +25^{\circ}\text{C}$ $T_A = -40^{\circ}\text{C}$ to $+85^{\circ}\text{C}$ $T_A = +85^{\circ}\text{C}$ to $+105^{\circ}\text{C}$ | | 4.31 4.27 4.16 | 4.38 | 4.45 4.49 4.60 | |
| MAX809JTR, MAX8xxSQ400 $T_A = +25^{\circ}\text{C}$ $T_A = -40^{\circ}\text{C}$ to $+85^{\circ}\text{C}$ $T_A = +85^{\circ}\text{C}$ to $+105^{\circ}\text{C}$ | | 3.94 3.90 3.80 | 4.00 - - | 4.06 4.10 4.20 | |
| MAX8xxTTR, MAX809SQ308 $T_A = +25^{\circ}\text{C}$ $T_A = -40^{\circ}\text{C}$ to $+85^{\circ}\text{C}$ $T_A = +85^{\circ}\text{C}$ to $+105^{\circ}\text{C}$ | | 3.04 3.00 2.92 | 3.08 - - | 3.11 3.16 3.24 | |
| MAX8xxSTR, MAX8xxSQ293 $T_A = +25^{\circ}\text{C}$ $T_A = -40^{\circ}\text{C}$ to $+85^{\circ}\text{C}$ $T_A = +85^{\circ}\text{C}$ to $+105^{\circ}\text{C}$ | | 2.89 2.85 2.78 | 2.93 - - | 2.96 3.00 3.08 | |
| MAX8xxRTR, MAX8xxSQ263 $T_A = +25^{\circ}\text{C}$ $T_A = -40^{\circ}\text{C}$ to $+85^{\circ}\text{C}$ $T_A = +85^{\circ}\text{C}$ to $+105^{\circ}\text{C}$ | | 2.59 2.56 2.49 | 2.63 - - | 2.66 2.70 2.77 | |
| MAX809SN232, MAX809SQ232 $T_A = +25^{\circ}\text{C}$ $T_A = -40^{\circ}\text{C}$ to $+85^{\circ}\text{C}$ $T_A = +85^{\circ}\text{C}$ to $+105^{\circ}\text{C}$ | | 2.28 2.25 2.21 | 2.32 - - | 2.35 2.38 2.45 | |
| MAX809SN160 $T_A = +25^{\circ}\text{C}$ $T_A = -40^{\circ}\text{C}$ to $+85^{\circ}\text{C}$ $T_A = +85^{\circ}\text{C}$ to $+105^{\circ}\text{C}$ | | 1.58 1.56 1.52 | 1.60 - - | 1.62 1.64 1.68 | |
| MAX809SN120, MAX8xxSQ120 $T_A = +25^{\circ}\text{C}$ $T_A = -40^{\circ}\text{C}$ to $+85^{\circ}\text{C}$ $T_A = +85^{\circ}\text{C}$ to $+105^{\circ}\text{C}$ | | 1.18 1.17 1.14 | 1.20 - - | 1.22 1.23 1.26 | |

3. Production testing done at $T_A = 25^{\circ}\text{C}$, over temperature limits guaranteed by design.
4. Contact your ON Semiconductor sales representative for other threshold voltage options.

MAX809 Series, MAX810 Series

ELECTRICAL CHARACTERISTICS (continued) $T_A = -40^{\circ}\text{C}$ to $+105^{\circ}\text{C}$ unless otherwise noted. Typical values are at $T_A = +25^{\circ}\text{C}$. (Note 5)

| Characteristic | Symbol | Min | Typ | Max | Unit |
|--|----------|-------------------------|------------------|-------------------------|-------------------------|
| Detector Voltage Threshold Temperature Coefficient | | - | 30 | - | ppm/ $^{\circ}\text{C}$ |
| V_{CC} to Reset Delay $V_{CC} = V_{TH}$ to $(V_{TH} - 100\text{ mV})$ | | - | 10 | - | μsec |
| Reset Active TimeOut Period (Note 6) MAX8xxSN(Q)293D1 MAX8xxSN(Q)293D2 MAX8xxSN(Q)293D3 MAX8xxSN(Q)293 | t_{RP} | 1.0 20 100 140 | - - - - | 3.3 66 330 460 | msec |
| RESET Output Voltage Low (No Load) (MAX809) $V_{CC} = V_{TH} - 0.2\text{ V}$ $1.6\text{ V} \leq V_{TH} \leq 2.0\text{ V}$, $I_{SINK} = 0.5\text{ mA}$ $2.1\text{ V} \leq V_{TH} \leq 4.0\text{ V}$, $I_{SINK} = 1.2\text{ mA}$ $4.1\text{ V} \leq V_{TH} \leq 4.9\text{ V}$, $I_{SINK} = 3.2\text{ mA}$ | V_{OL} | - | - | 0.3 | V |
| RESET Output Voltage High (No Load) (MAX809) $V_{CC} = V_{TH} + 0.2\text{ V}$ $1.6\text{ V} \leq V_{TH} \leq 2.4\text{ V}$, $I_{SOURCE} = 200\text{ }\mu\text{A}$ $2.5\text{ V} \leq V_{TH} \leq 4.9\text{ V}$, $I_{SOURCE} = 500\text{ }\mu\text{A}$ | V_{OH} | $0.8 V_{CC}$ | - | - | V |
| RESET Output Voltage High (No Load) (MAX810) $V_{CC} = V_{TH} + 0.2\text{ V}$ $1.6\text{ V} \leq V_{TH} \leq 2.4\text{ V}$, $I_{SOURCE} = 200\text{ }\mu\text{A}$ $2.5\text{ V} \leq V_{TH} \leq 4.9\text{ V}$, $I_{SOURCE} = 500\text{ }\mu\text{A}$ | V_{OH} | $0.8 V_{CC}$ | - | - | V |
| RESET Output Voltage Low (No Load) (MAX810) $V_{CC} = V_{TH} - 0.2\text{ V}$ $1.6\text{ V} \leq V_{TH} \leq 2.0\text{ V}$, $I_{SINK} = 0.5\text{ mA}$ $2.1\text{ V} \leq V_{TH} \leq 4.0\text{ V}$, $I_{SINK} = 1.2\text{ mA}$ $4.1\text{ V} \leq V_{TH} \leq 4.9\text{ V}$, $I_{SINK} = 3.2\text{ mA}$ | V_{OL} | - | - | 0.3 | V |

5. Production testing done at $T_A = 25^{\circ}\text{C}$, over temperature limits guaranteed by design.
6. Contact your ON Semiconductor sales representative for timeout options availability for other threshold voltage options.

MAX809 Series, MAX810 Series

TYPICAL OPERATING CHARACTERISTICS

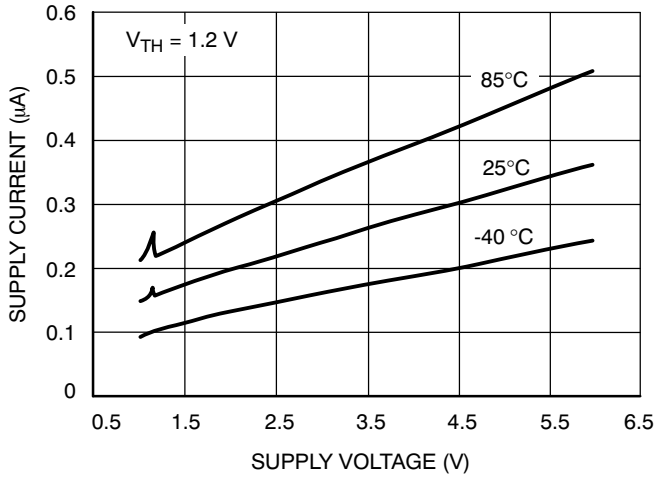


Figure 4. Supply Current vs. Supply Voltage

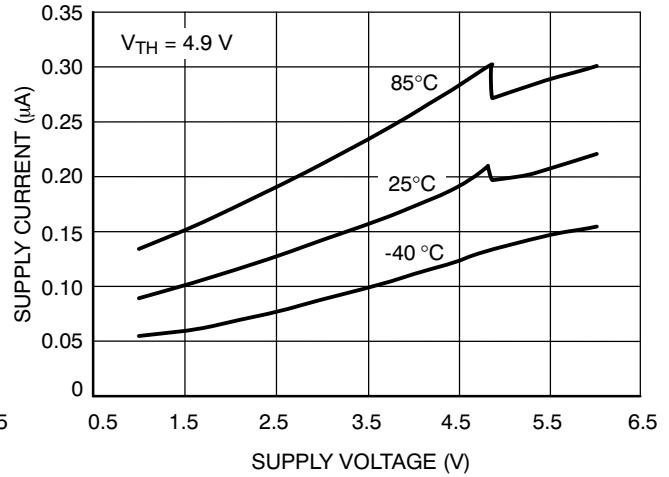


Figure 5. Supply Current vs. Supply Voltage

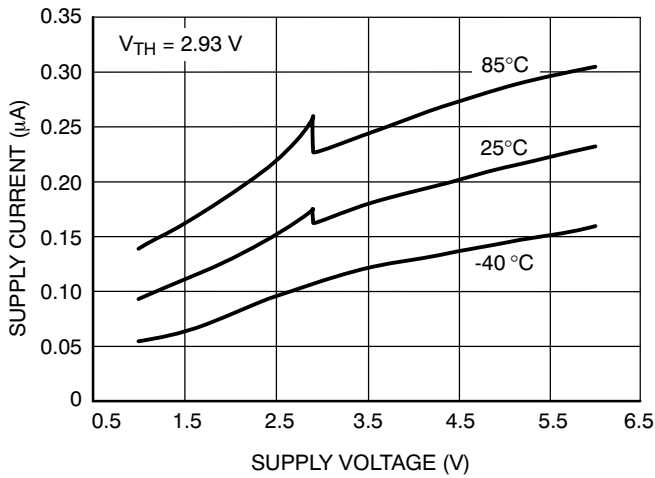


Figure 6. Supply Current vs. Supply Voltage

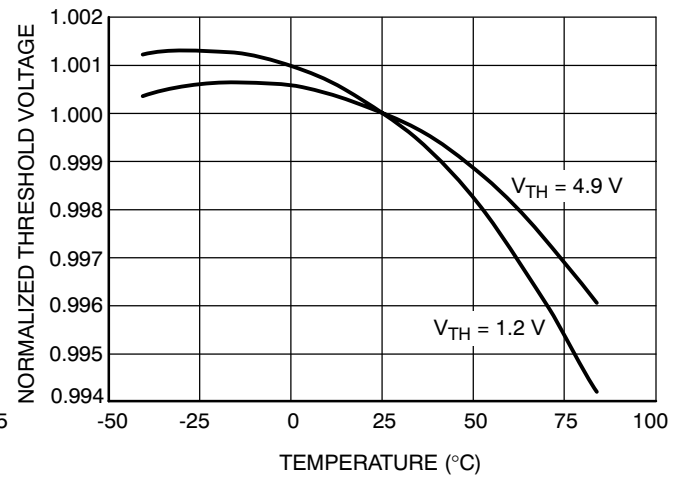


Figure 7. Normalized Reset Threshold Voltage vs. Temperature

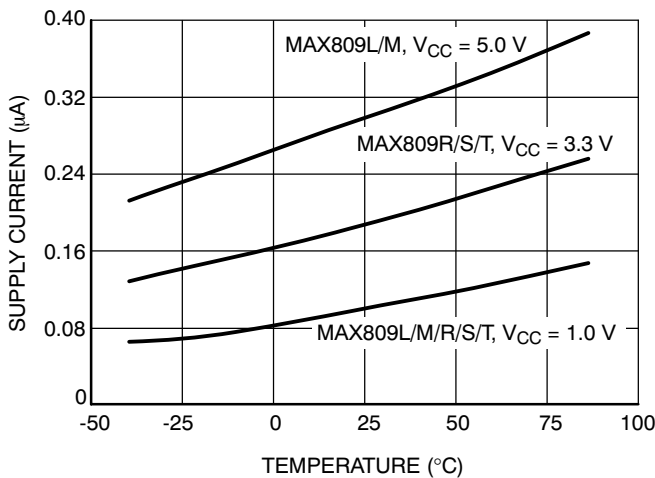


Figure 8. Supply Current vs. Temperature (No Load, MAX809)

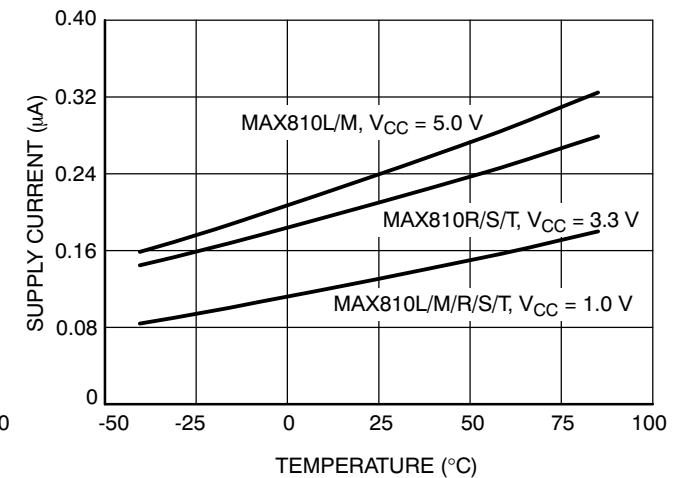


Figure 9. Supply Current vs. Temperature (No Load, MAX810)

MAX809 Series, MAX810 Series

TYPICAL OPERATING CHARACTERISTICS

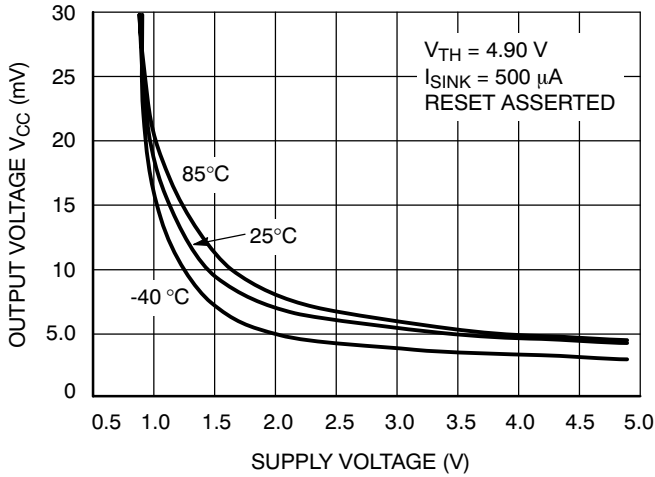


Figure 10. Output Voltage Low vs. Supply Voltage

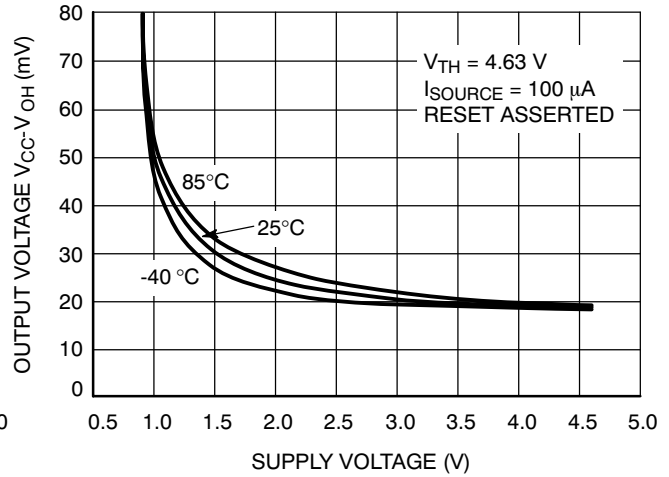


Figure 11. Output Voltage High vs. Supply Voltage

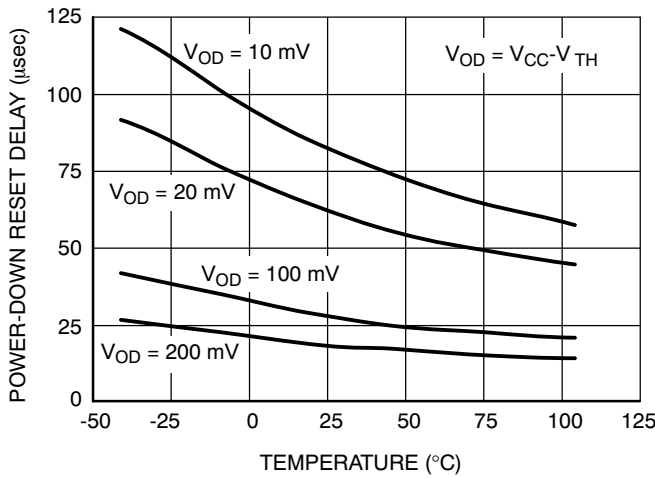


Figure 12. Power-Down Reset Delay vs. Temperature and Overdrive ($V_{TH} = 1.2\text{ V}$)

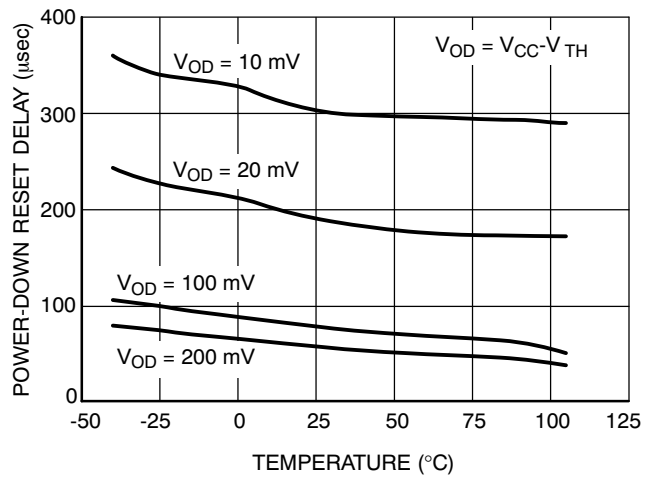


Figure 13. Power-Down Reset Delay vs. Temperature and Overdrive ($V_{TH} = 4.9\text{ V}$)

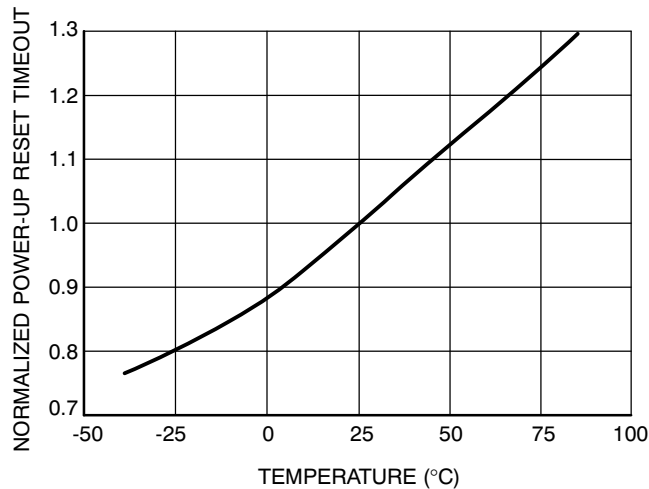


Figure 14. Normalized Power-Up Reset vs. Temperature

MAX809 Series, MAX810 Series

Detail Operation Description

The MAX809/810 series microprocessor reset supervisory circuits are designed to monitor the power supplies in digital systems and provide a reset signal to the processor without any external components. Figure 2 shows the timing diagram and a typical application below. Initially consider that input voltage V_{CC} is at a nominal level greater than the voltage detector upper threshold (V_{TH+}). And the $\overline{\text{RESET}}$ (RESET) output voltage (Pin 2) will be in the high state for MAX809, or in the low state for MAX 810 devices.

If there is an input power interruption and V_{CC} becomes significantly deficient, it will fall below the lower detector threshold (V_{TH-}). This event causes the RESET output to be in the low state for the MAX809, or in the high state for the NCP810 devices. After completion of the power interruption, V_{CC} will rise to its nominal level and become greater than the V_{TH} . This sequence activates the internal oscillator circuitry and digital counter to count. After the count of the timeout period, the reset output will revert back to the original state.

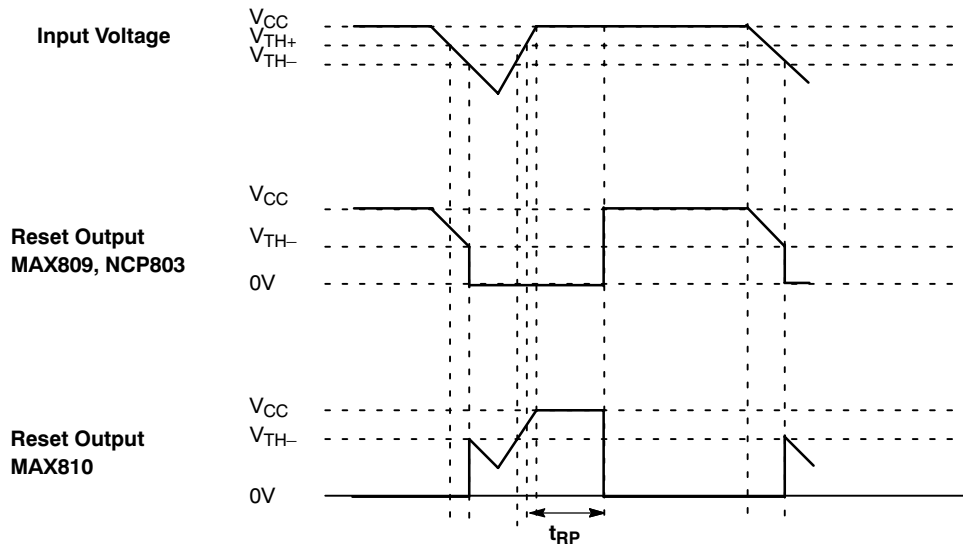


Figure 15. Timing Waveforms

MAX809 Series, MAX810 Series

APPLICATIONS INFORMATION

V_{CC} Transient Rejection

The MAX809 provides accurate V_{CC} monitoring and reset timing during power-up, power-down, and brownout/sag conditions, and rejects negative-going transients (glitches) on the power supply line. Figure 16 shows the maximum transient duration vs. maximum negative excursion (overdrive) for glitch rejection. Any combination of duration and overdrive which lies **under** the curve will **not** generate a reset signal. Combinations above the curve are detected as a brownout or power-down. Typically, transient that goes 100 mV below the reset threshold and lasts 5.0 μs or less will not cause a reset pulse. Transient immunity can be improved by adding a capacitor in close proximity to the V_{CC} pin of the MAX809.

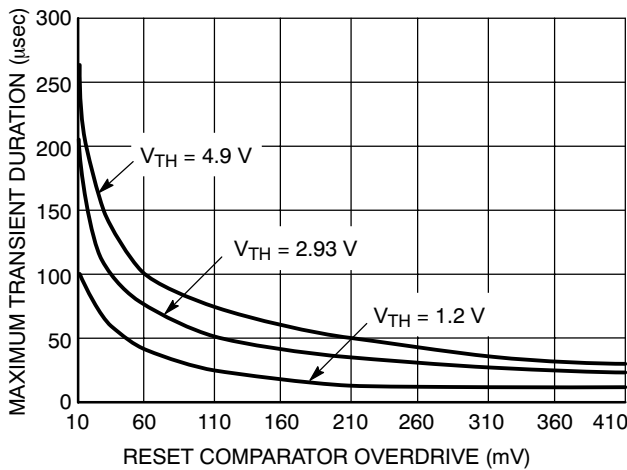
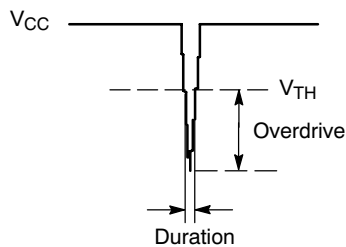


Figure 16. Maximum Transient Duration vs. Overdrive for Glitch Rejection at 25°C

RESET Signal Integrity During Power-Down

The MAX809 RESET output is valid to V_{CC} = 1.0 V. Below this voltage the output becomes an “open circuit” and does not sink current. This means CMOS logic inputs to the Microprocessor will be floating at an undetermined voltage. Most digital systems are completely shutdown well above this voltage. However, in situations where RESET must be

maintained valid to V_{CC} = 0 V, a pull-down resistor must be connected from RESET to ground to discharge stray capacitances and hold the output low (Figure 17). This resistor value, though not critical, should be chosen such that it does not appreciably load RESET under normal operation (100 kΩ will be suitable for most applications).

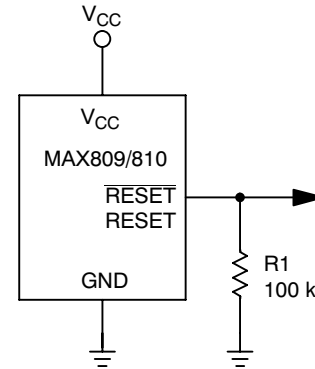


Figure 17. Ensuring RESET Valid to V_{CC} = 0 V

Processors With Bidirectional I/O Pins

Some Microprocessor's have bidirectional reset pins. Depending on the current drive capability of the processor pin, an indeterminate logic level may result if there is a logic conflict. This can be avoided by adding a 4.7 kΩ resistor in series with the output of the MAX809 (Figure 18). If there are other components in the system which require a reset signal, they should be buffered so as not to load the reset line. If the other components are required to follow the reset I/O of the Microprocessor, the buffer should be connected as shown with the solid line.

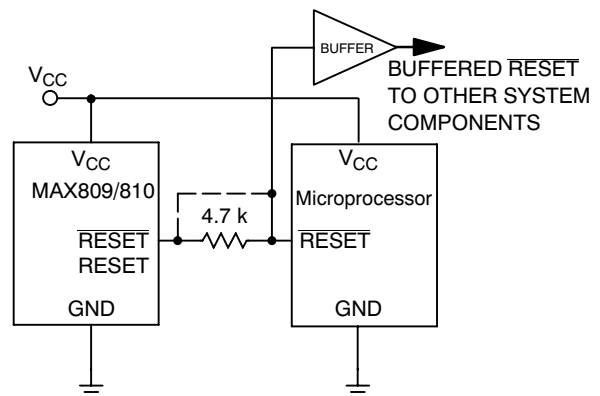


Figure 18. Interfacing to Bidirectional Reset I/O

MAX809 Series, MAX810 Series

ORDERING, MARKING AND THRESHOLD INFORMATION

| Part Number | V _{TH} * (V) | Timeout* (ms) | Description | Marking | Package | Shipping† |
|------------------|-----------------------|---------------|-----------------|---------|----------------------|--------------------|
| MAX809SN160T1 | 1.60 | 140-460 | Push-Pull RESET | SAA | SOT23-3 | 3000 / Tape & Reel |
| MAX809SN160T1G | 1.60 | 140-460 | | SAA | SOT23-3 (Pb-Free) | |
| MAX809SN232T1 | 2.32 | 140-460 | | SQP | SOT23-3 | |
| MAX809SN232T1G | 2.32 | 140-460 | | SQP | SOT23-3 (Pb-Free) | |
| MAX809RTR | 2.63 | 140-460 | | SPS | SOT23-3 | |
| MAX809RTRG | 2.63 | 140-460 | | SPS | SOT23-3 (Pb-Free) | |
| MAX809STR | 2.93 | 140-460 | | SPT | SOT23-3 | |
| MAX809STRG | 2.93 | 140-460 | | SPT | SOT23-3 (Pb-Free) | |
| NCV809STRG | 2.93 | 140-460 | | SUC | SOT23-3 (Pb-Free) | |
| MAX809TTR | 3.08 | 140-460 | | SPU | SOT23-3 | |
| MAX809TTRG | 3.08 | 140-460 | | SPU | SOT23-3 (Pb-Free) | |
| MAX809JTR | 4.00 | 140-460 | | SPR | SOT23-3 | |
| MAX809JTRG | 4.00 | 140-460 | | SPR | SOT23-3 (Pb-Free) | |
| MAX809MTR | 4.38 | 140-460 | | SPV | SOT23-3 | |
| MAX809MTRG | 4.38 | 140-460 | | SPV | SOT23-3 (Pb-Free) | |
| MAX809HTR | 4.55 | 140-460 | | SBD | SOT23-3 | |
| MAX809HTRG | 4.55 | 140-460 | | SBD | SOT23-3 (Pb-Free) | |
| MAX809LTR | 4.63 | 140-460 | | SPW | SOT23-3 | |
| MAX809LTRG | 4.63 | 140-460 | | SPW | SOT23-3 (Pb-Free) | |
| NCV809LTRG | 4.63 | 140-460 | | STA | SOT23-3 (Pb-Free) | |
| MAX809SN490T1 | 4.90 | 140-460 | | SBH | SOT23-3 | |
| MAX809SN490T1G | 4.90 | 140-460 | | SBH | SOT23-3 (Pb-Free) | |
| MAX809SN120T1G | 1.20 | 140-460 | | SSO | SOT23-3 (Pb-Free) | |
| MAX809SN293D1T1G | 2.93 | 1-3.3 | | SSP | SOT23-3 (Pb-Free) | |
| MAX809SN293D2T1G | 2.93 | 20-66 | | SSQ | SOT23-3 (Pb-Free) | |
| MAX809SN293D3T1G | 2.93 | 100-330 | | SSR | SOT23-3 (Pb-Free) | |
| MAX809SQ120T1G | 1.20 | 140-460 | | ZD | SC70-3 (Pb-Free) | |
| MAX809SQ232T1G | 2.32 | 140-460 | | ZE | SC70-3 (Pb-Free) | |
| MAX809SQ263T1G | 2.63 | 140-460 | | ZF | SC70-3 (Pb-Free) | |
| MAX809SQ293T1G | 2.93 | 140-460 | | ZG | SC70-3 (Pb-Free) | |
| MAX809SQ308T1G | 3.08 | 140-460 | | ZH | SC70-3 (Pb-Free) | |
| MAX809SQ400T1G | 4.00 | 140-460 | | SZ | SC70-3 (Pb-Free) | |
| MAX809SQ438T1G | 4.38 | 140-460 | | ZI | SC70-3 (Pb-Free) | |
| MAX809SQ463T1G | 4.63 | 140-460 | | ZJ | SC70-3 (Pb-Free) | |
| MAX809SQ293D1T1G | 2.93 | 1-3.3 | | ZK | SC70-3 (Pb-Free) | |
| MAX809SQ293D2T1G | 2.93 | 20-66 | | ZL | SC70-3 (Pb-Free) | |
| MAX809SQ293D3T1G | 2.93 | 100-330 | | ZM | SC70-3 (Pb-Free) | |

MAX809 Series, MAX810 Series

ORDERING, MARKING AND THRESHOLD INFORMATION

| Part Number | V _{TH} * (V) | Timeout* (ms) | Description | Marking | Package | Shipping† |
|------------------|--------------------------|------------------|-----------------|---------|----------------------|--------------------|
| MAX810RTR | 2.63 | 140-460 | Push-Pull RESET | SPX | SOT23-3 | 3000 / Tape & Reel |
| MAX810RTRG | 2.63 | 140-460 | | SPX | SOT23-3 (Pb-Free) | |
| MAX810STR | 2.93 | 140-460 | | SPY | SOT23-3 | |
| MAX810STRG | 2.93 | 140-460 | | SPY | SOT23-3 (Pb-Free) | |
| MAX810TTR | 3.08 | 140-460 | | SPZ | SOT23-3 | |
| MAX810TTRG | 3.08 | 140-460 | | SPZ | SOT23-3 (Pb-Free) | |
| MAX810MTR | 4.38 | 140-460 | | SQA | SOT23-3 | |
| MAX810MTRG | 4.38 | 140-460 | | SQA | SOT23-3 (Pb-Free) | |
| MAX810LTR | 4.63 | 140-460 | | SQB | SOT23-3 | |
| MAX810LTRG | 4.63 | 140-460 | | SQB | SOT23-3 (Pb-Free) | |
| MAX810SN120T1G | 1.20 | 140-460 | | SSS | SOT23-3 (Pb-Free) | |
| MAX810SN293D1T1G | 2.93 | 1-3.3 | | SST | SOT23-3 (Pb-Free) | |
| MAX810SN293D2T1G | 2.93 | 20-66 | | SSU | SOT23-3 (Pb-Free) | |
| MAX810SN293D3T1G | 2.93 | 100-330 | | SSZ | SOT23-3 (Pb-Free) | |
| MAX810SQ120T1G | 1.20 | 140-460 | | ZN | SC70-3 (Pb-Free) | |
| MAX810SQ263T1G | 2.63 | 140-460 | | ZO | SC70-3 (Pb-Free) | |
| MAX810SQ293T1G | 2.93 | 140-460 | | ZP | SC70-3 (Pb-Free) | |
| MAX810SQ438T1G | 4.38 | 140-460 | | ZQ | SC70-3 (Pb-Free) | |
| MAX810SQ463T1G | 4.63 | 140-460 | | ZR | SC70-3 (Pb-Free) | |
| MAX810SQ293D1T1G | 2.93 | 1-3.3 | | ZS | SC70-3 (Pb-Free) | |
| MAX810SQ293D2T1G | 2.93 | 20-66 | | ZT | SC70-3 (Pb-Free) | |
| MAX810SQ293D3T1G | 2.93 | 100-330 | | ZU | SC70-3 (Pb-Free) | |

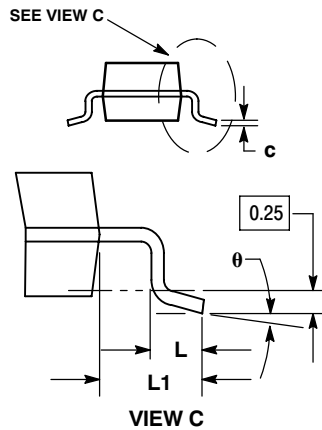
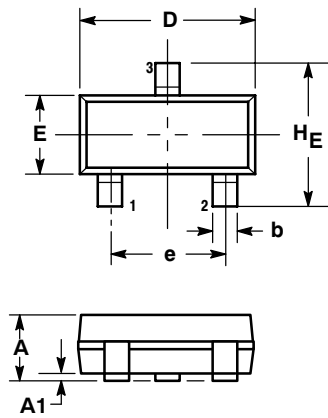
†For information on tape and reel specifications, including part orientation and tape sizes, please refer to our Tape and Reel Packaging Specifications Brochure, BRD8011/D.

*Contact your ON Semiconductor sales representative for other threshold voltage options.

MAX809 Series, MAX810 Series

PACKAGE DIMENSIONS

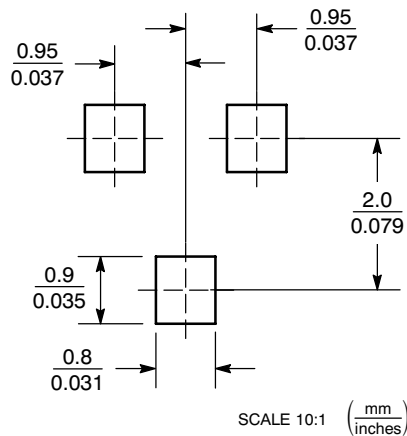
SOT-23 (TO236)
CASE 318-08
ISSUE AN



- NOTES:
1. DIMENSIONING AND TOLERANCING PER ANSI Y14.5M, 1982.
 2. CONTROLLING DIMENSION: INCH.
 3. MAXIMUM LEAD THICKNESS INCLUDES LEAD FINISH THICKNESS. MINIMUM LEAD THICKNESS IS THE MINIMUM THICKNESS OF BASE MATERIAL.
 4. 318-01 THRU -07 AND -09 OBSOLETE, NEW STANDARD 318-08.

| DIM | MILLIMETERS | | | INCHES | | |
|-----|-------------|------|------|--------|-------|-------|
| | MIN | NOM | MAX | MIN | NOM | MAX |
| A | 0.89 | 1.00 | 1.11 | 0.035 | 0.040 | 0.044 |
| A1 | 0.01 | 0.06 | 0.10 | 0.001 | 0.002 | 0.004 |
| b | 0.37 | 0.44 | 0.50 | 0.015 | 0.018 | 0.020 |
| c | 0.09 | 0.13 | 0.18 | 0.003 | 0.005 | 0.007 |
| D | 2.80 | 2.90 | 3.04 | 0.110 | 0.114 | 0.120 |
| E | 1.20 | 1.30 | 1.40 | 0.047 | 0.051 | 0.055 |
| e | 1.78 | 1.90 | 2.04 | 0.070 | 0.075 | 0.081 |
| L | 0.10 | 0.20 | 0.30 | 0.004 | 0.008 | 0.012 |
| L1 | 0.35 | 0.54 | 0.69 | 0.014 | 0.021 | 0.029 |
| HE | 2.10 | 2.40 | 2.64 | 0.083 | 0.094 | 0.104 |

SOLDERING FOOTPRINT*



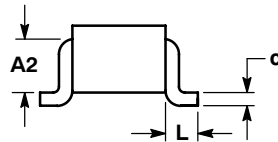
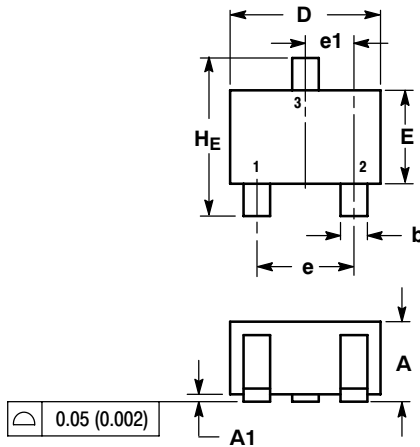
SCALE 10:1 (mm/inches)

*For additional information on our Pb-Free strategy and soldering details, please download the ON Semiconductor Soldering and Mounting Techniques Reference Manual, SOLDERRM/D.

MAX809 Series, MAX810 Series

PACKAGE DIMENSIONS

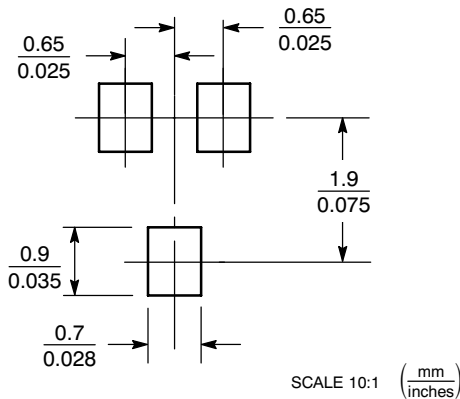
SC-70 (SOT-323)
CASE 419-04
ISSUE M



- NOTES:
1. DIMENSIONING AND TOLERANCING PER ANSI Y14.5M, 1982.
2. CONTROLLING DIMENSION: INCH.

| DIM | MILLIMETERS | | | INCHES | | |
|-----|-------------|------|------|-----------|-------|-------|
| | MIN | NOM | MAX | MIN | NOM | MAX |
| A | 0.80 | 0.90 | 1.00 | 0.032 | 0.035 | 0.040 |
| A1 | 0.00 | 0.05 | 0.10 | 0.000 | 0.002 | 0.004 |
| A2 | 0.7 REF | | | 0.028 REF | | |
| b | 0.30 | 0.35 | 0.40 | 0.012 | 0.014 | 0.016 |
| c | 0.10 | 0.18 | 0.25 | 0.004 | 0.007 | 0.010 |
| D | 1.80 | 2.10 | 2.20 | 0.071 | 0.083 | 0.087 |
| E | 1.15 | 1.24 | 1.35 | 0.045 | 0.049 | 0.053 |
| e | 1.20 | 1.30 | 1.40 | 0.047 | 0.051 | 0.055 |
| e1 | 0.65 BSC | | | 0.026 BSC | | |
| L | 0.425 REF | | | 0.017 REF | | |
| HE | 2.00 | 2.10 | 2.40 | 0.079 | 0.083 | 0.095 |

SOLDERING FOOTPRINT*



*For additional information on our Pb-Free strategy and soldering details, please download the ON Semiconductor Soldering and Mounting Techniques Reference Manual, SOLDERRM/D.

ON Semiconductor and are registered trademarks of Semiconductor Components Industries, LLC (SCILLC). SCILLC reserves the right to make changes without further notice to any products herein. SCILLC makes no warranty, representation or guarantee regarding the suitability of its products for any particular purpose, nor does SCILLC assume any liability arising out of the application or use of any product or circuit, and specifically disclaims any and all liability, including without limitation special, consequential or incidental damages. "Typical" parameters which may be provided in SCILLC data sheets and/or specifications can and do vary in different applications and actual performance may vary over time. All operating parameters, including "Typicals" must be validated for each customer application by customer's technical experts. SCILLC does not convey any license under its patent rights nor the rights of others. SCILLC products are not designed, intended, or authorized for use as components in systems intended for surgical implant into the body, or other applications intended to support or sustain life, or for any other application in which the failure of the SCILLC product could create a situation where personal injury or death may occur. Should Buyer purchase or use SCILLC products for any such unintended or unauthorized application, Buyer shall indemnify and hold SCILLC and its officers, employees, subsidiaries, affiliates, and distributors harmless against all claims, costs, damages, and expenses, and reasonable attorney fees arising out of, directly or indirectly, any claim of personal injury or death associated with such unintended or unauthorized use, even if such claim alleges that SCILLC was negligent regarding the design or manufacture of the part. SCILLC is an Equal Opportunity/Affirmative Action Employer. This literature is subject to all applicable copyright laws and is not for resale in any manner.

PUBLICATION ORDERING INFORMATION

LITERATURE FULFILLMENT:
Literature Distribution Center for ON Semiconductor
P.O. Box 5163, Denver, Colorado 80217 USA
Phone: 303-675-2175 or 800-344-3860 Toll Free USA/Canada
Fax: 303-675-2176 or 800-344-3867 Toll Free USA/Canada
Email: orderlit@onsemi.com

N. American Technical Support: 800-282-9855 Toll Free USA/Canada
Europe, Middle East and Africa Technical Support:
Phone: 421 33 790 2910
Japan Customer Focus Center
Phone: 81-3-5773-3850

ON Semiconductor Website: www.onsemi.com

Order Literature: <http://www.onsemi.com/orderlit>

For additional information, please contact your local Sales Representative